



Fastener
Solutions

Recycled Fasteners Marketing Specifications

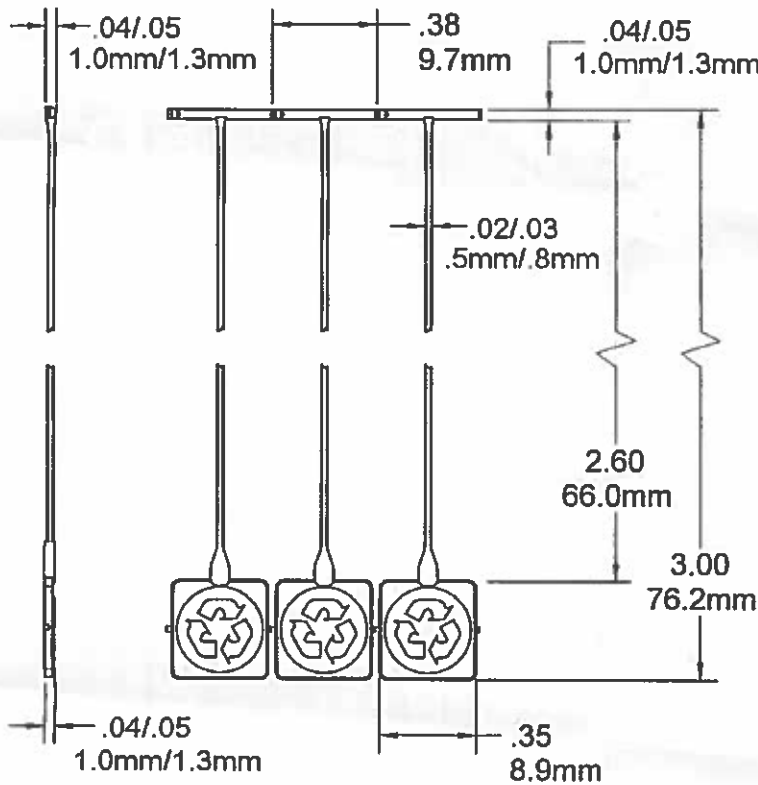
For the following part numbers:

- 17001-0
- 17002-0
- 17003-0
- 17004-0
- 17005-0
- 17006-0
- 17007-0
- 17008-0
- 17009-0
- 17010-0
- 17011-0
- 17012-0
- 17013-0

August 1, 2018

AVERY DENNISON MARKETING SPECIFICATION

TOLERANCES IN. =± .030 IN.
MM =± 0.7 mm



Stock No.	Color
17001-0	White
17002-0	Yellow
17003-0	Orange
17004-0	Pink
17005-0	Red
17006-0	Light Green
17007-0	Green
17008-0	Light Blue
17009-0	Dark Blue
17010-0	Brown
17011-0	Gray
17012-0	Black
17013-0	Natural

Applied Min. Tensile Strength:	5.6 lbs [2.5 kgs] minimum
Material:	=/> 90% rPET (Recycled Polyethylene Terephthalate) =/ < 10% Polyethylene and color concentrate
Weight:	0.107 grams each
Roll Quantity:	834
Application Tools:	System 1000™ Handtool #10000-4 Industrial System 1000 Tools # SPU5M / SPU5P Contact your Territory Manager for other options
Packaged:	5,000/carton, 50,000/case
T/F Conn Paddles:	Yes



FASTENER DIVISION
FITCHBURG, MA 01420 U.S.A.
TEL. 1-800-225-5613
FAX. 1-800-848-2169

NOT TO SCALE

DESCRIPTION:

3" (76mm) Recycled Plastic Fastener
rPET (Recycled PolyEthylene Terephthalate)

APPROVAL:

John Sta 07/20/2017

STOCK NO.
SEE TABLE

REV
C