



Fastener
Solutions

Heavy Duty Fasteners Marketing Specifications

For the following part numbers:

08903-2

08908-0

08909-0

08961-0

08973-0

08974-0

08975-0

08979-0

08981-0

08982-0

08985-0

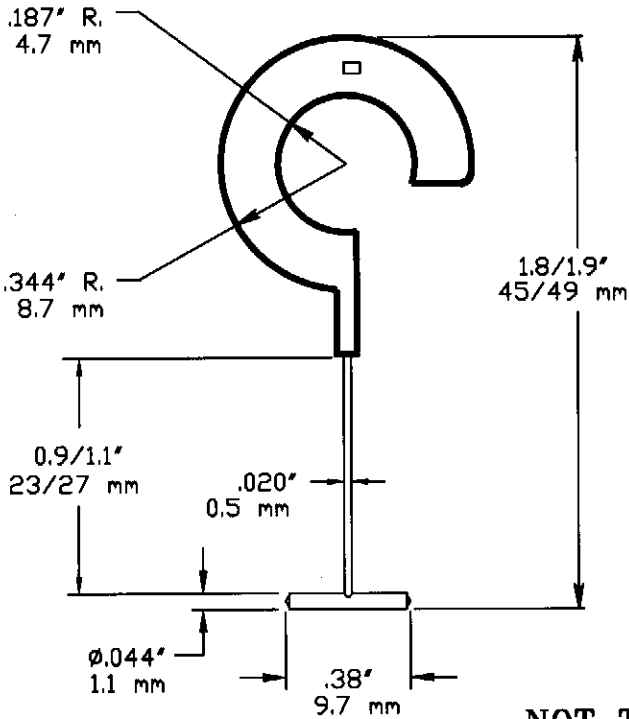
11077-0

11083-0

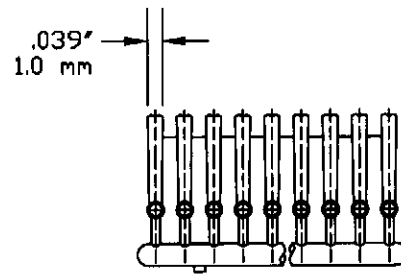
02061 (Europe)

02040 (Europe)

AVERY DENNISON MARKETING SPECIFICATION



TOLERANCES: IN. = ± .030 in
MM = ± 0.7 mm



NOT TO SCALE

NOMINAL TENSILE STRENGTH:	5/7 LBSF.
MATERIAL:	NYLON 6 - NATURAL
CLIP QUANTITY:	50
APPLICATION TOOL:	08945 STANDARD SCISSOR-GRIP MARK II HAND TOOL (CONTACT LOCAL SALES PERSON FOR INFORMATION ON POWERED EQUIPMENT)
PACKAGED IN:	5000/CTN, 50,000/CASE
T/F CONN PADDLES	YES



AVERY DENNISON

FASTENER DIVISION
FITCHBURG, MA 01420 U.S.A.
TEL. 1-800-225-5913
MA. 978-353-8157

DESCRIPTION:

1" (25mm) SWIFTACH[®], GP HOOKS

APPROVAL:

Ed [Signature] 3-3-09

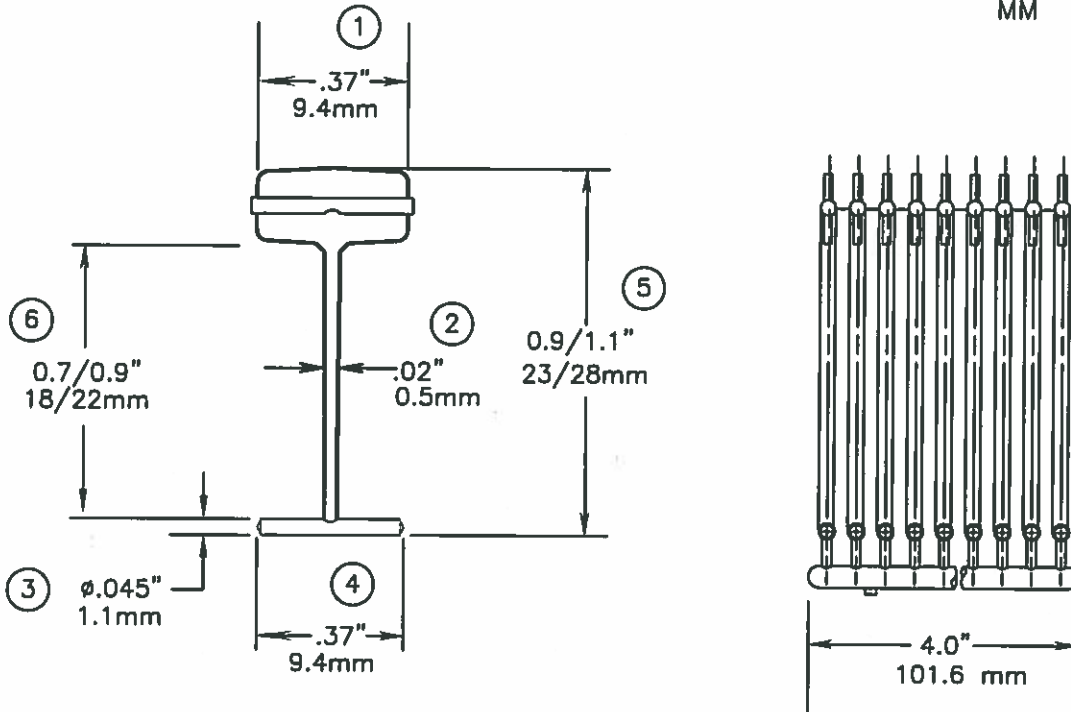
STOCK NO.

08903-2

REV
B

AVERY DENNISON MARKETING SPECIFICATION

TOLERANCES IN. = ± .030 IN.
MM = ± 0.7 mm



NOT TO SCALE

NOMINAL TENSILE STRENGTH:	5/7 LBSF / 2.3/3.2 KGF
MATERIAL:	NYLON 6 - NATURAL
WEIGHT:	.063 GRAMS/EACH
CLIP QUANTITY:	50
APPLICATION TOOL:	10651 MARK III PISTOL GRIP 08945 STANDARD SCISSOR-GRIP MARK II HAND TOOL (CONTACT LOCAL SALES PERSON FOR INFORMATION ON POWERED EQUIPMENT)
PACKAGED IN:	5000/CTN, 50,000/CASE
T/F CONN PADDLES	YES



FASTENER DIVISION
FITCHBURG, MA 01420 U.S.A.
TEL. 1-800-225-5913
FAX. 1-800-848-2169

DESCRIPTION:

1" (20mm) Swiftach[®] HD Paddle

APPROVAL:

Linda Boyle 4/28/2016

STOCK NO.

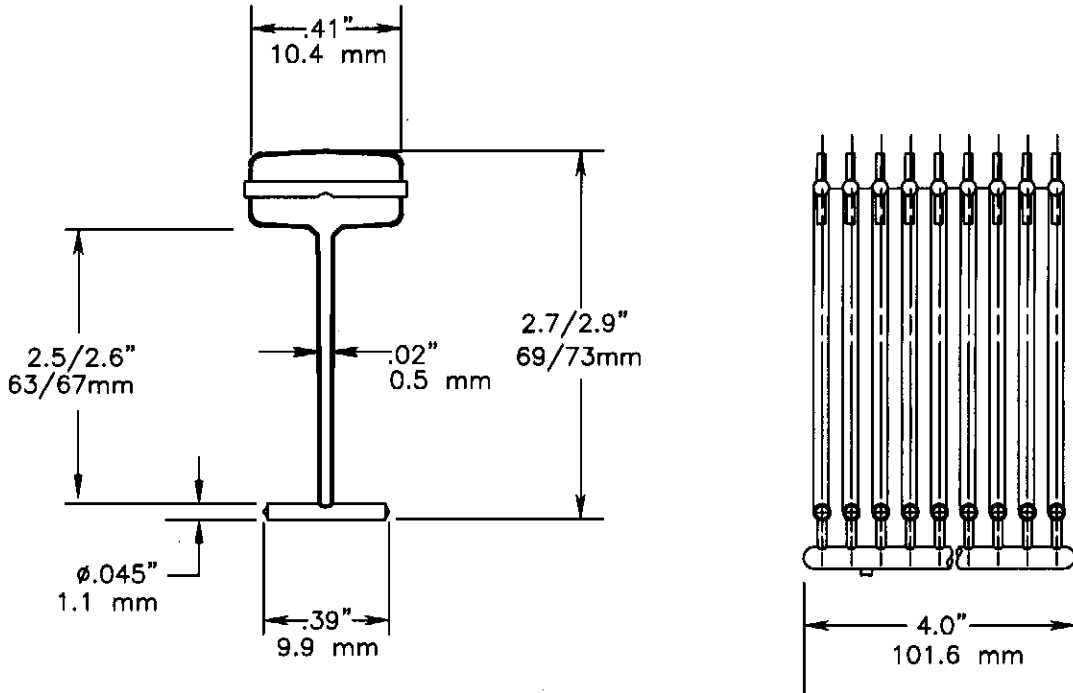
08908-0

REV

K

AVERY DENNISON MARKETING SPECIFICATION

TOLERANCES IN. = ± .030 IN.
MM = ± 0.7 mm



NOT TO SCALE

NOMINAL TENSILE STRENGTH:	5/7 LBSF / 2.3/3.2 KGF
MATERIAL:	NYLON 6 - NATURAL
WEIGHT:	.068 GRAMS/EACH
CLIP QUANTITY:	50
APPLICATION TOOL:	10651 MARK III PISTOL GRIP 08945 STANDARD SCISSOR-GRIP MARK II HAND TOOL (CONTACT LOCAL SALES PERSON FOR INFORMATION ON POWERED EQUIPMENT)
PACKAGED IN:	5000/CTN, 50,000/CASE
T/F CONN PADDLES	YES



FASTENER DIVISION
FITCHBURG, MA 01420 U.S.A.
TEL. 1-800-225-5913
FAX. 1-800-848-2169

DESCRIPTION:

3" (65mm) Swiftach® HD Paddle

APPROVAL:

Eck 1-30-09

STOCK NO.

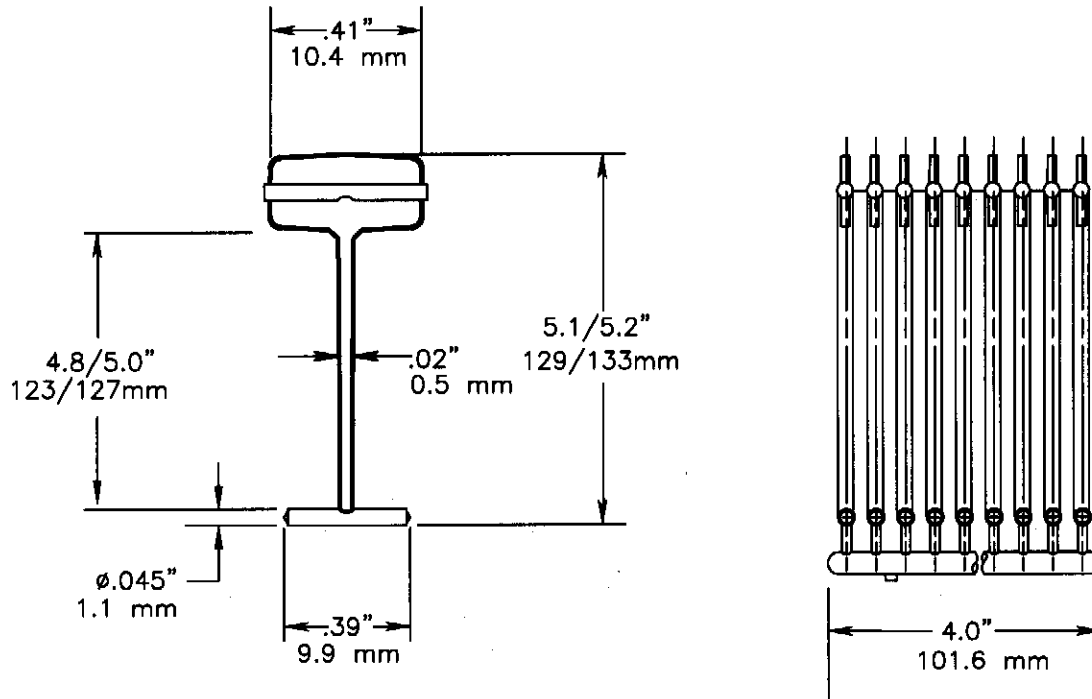
08909

REV

G

EVERY DENNISON MARKETING SPECIFICATION

TOLERANCES IN. = ± .030 IN.
MM = ± 0.7 mm



NOT TO SCALE

NOMINAL TENSILE STRENGTH:	5/7 LBSF / 2.3/3.2 KGF
MATERIAL:	NYLON 6 - NATURAL
WEIGHT:	.071 GRAMS/EACH
CLIP QUANTITY:	50
APPLICATION TOOL:	10651 MARK III PISTOL GRIP 08945 STANDARD SCISSOR-GRIP MARK II HAND TOOL (CONTACT LOCAL SALES PERSON FOR INFORMATION ON POWERED EQUIPMENT)
PACKAGED IN:	5000/CTN, 50,000/CASE
T/F CONN PADDLES	YES



FASTENER DIVISION
FITCHBURG, MA 01420 U.S.A.
TEL. 1-800-225-5913
FAX. 1-800-848-2169

DESCRIPTION:

5" (125mm) Swiftach® HD Paddle

APPROVAL:

[Signature] 1-14-09

STOCK NO.

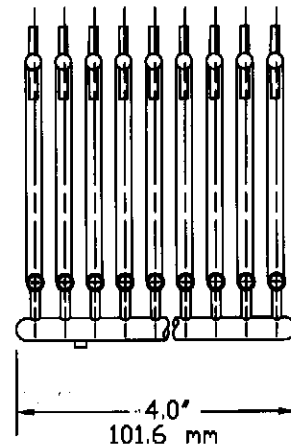
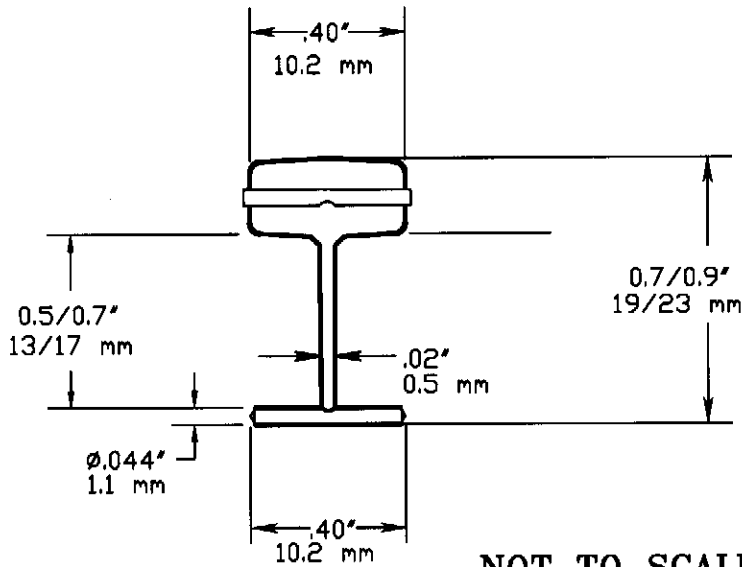
08961

REV

C

AVERY DENNISON MARKETING SPECIFICATION

TOLERANCES IN. = ± .030 IN.
MM = ± 0.7 mm



NOT TO SCALE

NOMINAL TENSILE STRENGTH:	5.0 - 7.0 LBSF / 2.3 - 3.2 KGF
MATERIAL:	NYLON: TYPE 6
WEIGHT/FASTENER:	0.0017 oz / .050 grams
CLIP QUANTITY:	50
APPLICATION TOOL:	10651 MARK III PISTOL GRIP 08945 STANDARD SCISSOR-GRIP MARK II HAND TOOL (CONTACT LOCAL SALES PERSON FOR INFORMATION ON POWERED EQUIPMENT)
PACKAGED IN:	5,000/CTN, 50,000/CASE
T/F CONN PADDLES	NO

STK.NO	DESCRIPTION
08973	NATURAL
08974	DK.BLUE
08975	LT.BLUE
08979	ORANGE
08981	YELLOW
08982	RED
08985	BLACK



FASTENER DIVISION
FITCHBURG, MA 01420 U.S.A.
TEL. 1-800-225-5913
FAX. 1-800-848-2169

DESCRIPTION:

1/2" (15 mm) Swiftach® HD Paddle

APPROVAL:

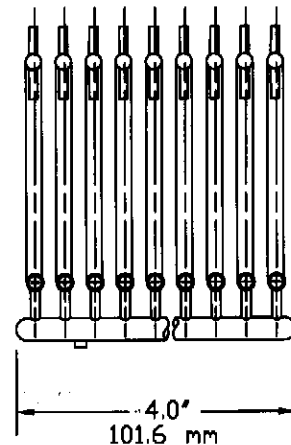
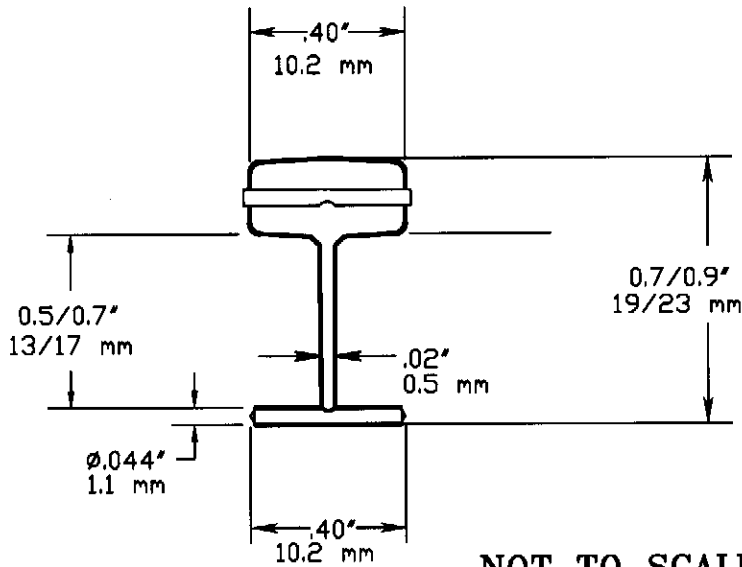
Edo 4h 1-12-09

SEE ABOVE

REV
H

AVERY DENNISON MARKETING SPECIFICATION

TOLERANCES IN. = ± .030 IN.
MM = ± 0.7 mm



NOT TO SCALE

NOMINAL TENSILE STRENGTH:	5.0 - 7.0 LBSF / 2.3 - 3.2 KGF
MATERIAL:	NYLON: TYPE 6
WEIGHT/FASTENER:	0.0017 oz / .050 grams
CLIP QUANTITY:	50
APPLICATION TOOL:	10651 MARK III PISTOL GRIP 08945 STANDARD SCISSOR-GRIP MARK II HAND TOOL (CONTACT LOCAL SALES PERSON FOR INFORMATION ON POWERED EQUIPMENT)
PACKAGED IN:	5,000/CTN, 50,000/CASE
T/F CONN PADDLES	NO

STK.NO	DESCRIPTION
08973	NATURAL
08974	DK.BLUE
08975	LT.BLUE
08979	ORANGE
08981	YELLOW
08982	RED
08985	BLACK



FASTENER DIVISION
FITCHBURG, MA 01420 U.S.A.
TEL. 1-800-225-5913
FAX. 1-800-848-2169

DESCRIPTION:

1/2" (15 mm) Swiftach® HD Paddle

APPROVAL:

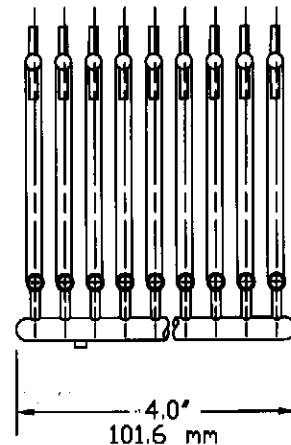
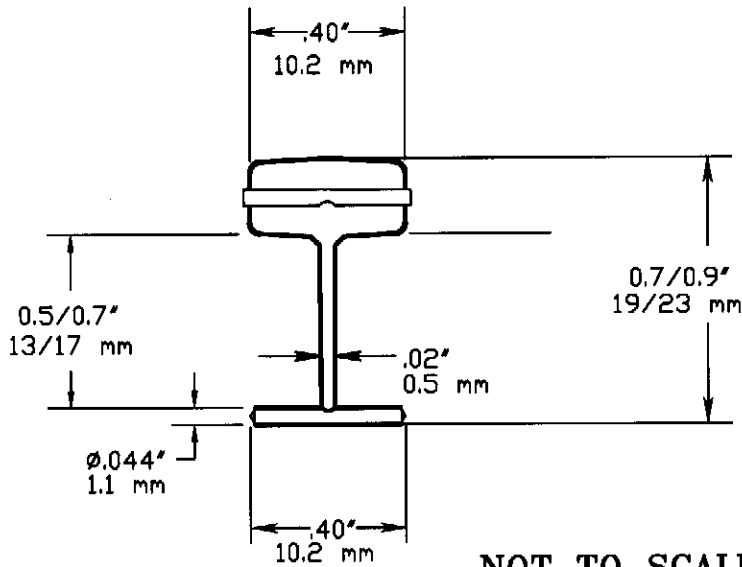
E. J. ... 1-12-09

SEE ABOVE

REV
H

AVERY DENNISON MARKETING SPECIFICATION

TOLERANCES IN. = ± .030 IN.
MM = ± 0.7 mm



NOT TO SCALE

NOMINAL TENSILE STRENGTH:	5.0 - 7.0 LBSF / 2.3 - 3.2 KGF
MATERIAL:	NYLON: TYPE 6
WEIGHT/FASTENER:	0.0017 oz / .050 grams
CLIP QUANTITY:	50
APPLICATION TOOL:	10651 MARK III PISTOL GRIP 08945 STANDARD SCISSOR-GRIP MARK II HAND TOOL (CONTACT LOCAL SALES PERSON FOR INFORMATION ON POWERED EQUIPMENT)
PACKAGED IN:	5,000/CTN, 50,000/CASE
T/F CONN PADDLES	NO

STK.NO	DESCRIPTION
08973	NATURAL
08974	DK.BLUE
08975	LT.BLUE
08979	ORANGE
08981	YELLOW
08982	RED
08985	BLACK



FASTENER DIVISION
FITCHBURG, MA 01420 U.S.A.
TEL. 1-800-225-5913
FAX. 1-800-848-2169

DESCRIPTION:

1/2" (15 mm) Swiftach® HD Paddle

APPROVAL:

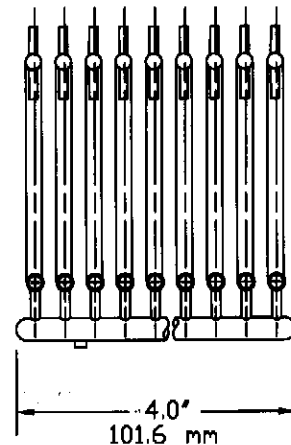
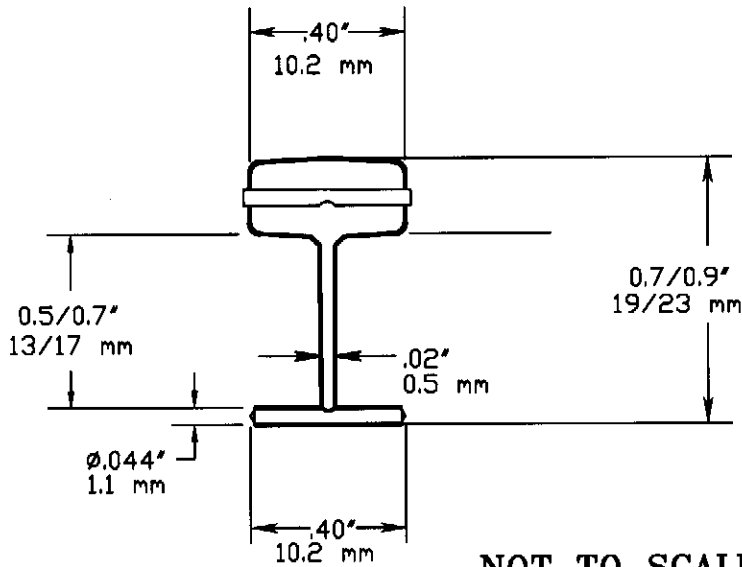
E. L. ... 1-12-09

SEE ABOVE

REV
H

AVERY DENNISON MARKETING SPECIFICATION

TOLERANCES IN. = ± .030 IN.
MM = ± 0.7 mm



NOT TO SCALE

NOMINAL TENSILE STRENGTH:	5.0 - 7.0 LBSF / 2.3 - 3.2 KGF
MATERIAL:	NYLON: TYPE 6
WEIGHT/FASTENER:	0.0017 oz / .050 grams
CLIP QUANTITY:	50
APPLICATION TOOL:	10651 MARK III PISTOL GRIP 08945 STANDARD SCISSOR-GRIP MARK II HAND TOOL (CONTACT LOCAL SALES PERSON FOR INFORMATION ON POWERED EQUIPMENT)
PACKAGED IN:	5,000/CTN, 50,000/CASE
T/F CONN PADDLES	NO

STK.NO	DESCRIPTION
08973	NATURAL
08974	DK.BLUE
08975	LT.BLUE
08979	ORANGE
08981	YELLOW
08982	RED
08985	BLACK



FASTENER DIVISION
FITCHBURG, MA 01420 U.S.A.
TEL. 1-800-225-5913
FAX. 1-800-848-2169

DESCRIPTION:

1/2" (15 mm) Swiftach[®] HD Paddle

APPROVAL:

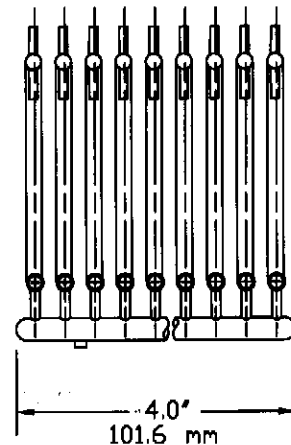
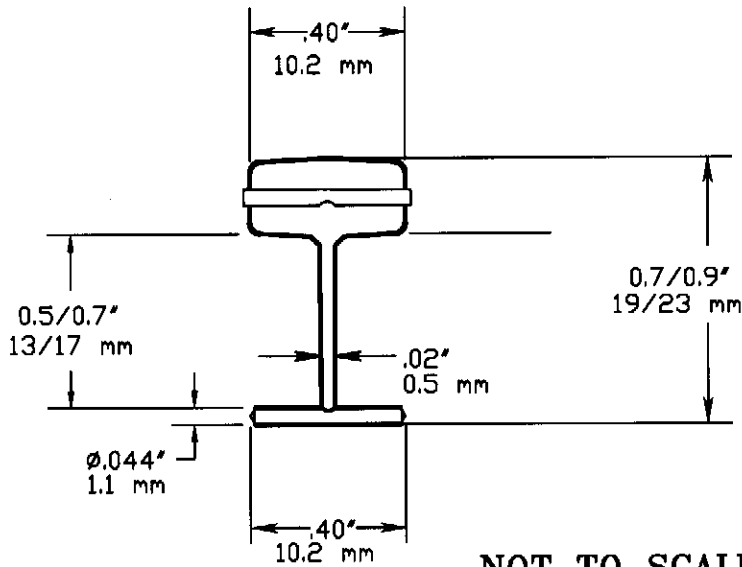
E. J. ... 1-12-09

SEE ABOVE

REV
H

AVERY DENNISON MARKETING SPECIFICATION

TOLERANCES IN. = ± .030 IN.
MM = ± 0.7 mm



NOT TO SCALE

NOMINAL TENSILE STRENGTH:	5.0 - 7.0 LBSF / 2.3 - 3.2 KGF
MATERIAL:	NYLON: TYPE 6
WEIGHT/FASTENER:	0.0017 oz / .050 grams
CLIP QUANTITY:	50
APPLICATION TOOL:	10651 MARK III PISTOL GRIP 08945 STANDARD SCISSOR-GRIP MARK II HAND TOOL (CONTACT LOCAL SALES PERSON FOR INFORMATION ON POWERED EQUIPMENT)
PACKAGED IN:	5,000/CTN, 50,000/CASE
T/F CONN PADDLES	NO

STK.NO	DESCRIPTION
08973	NATURAL
08974	DK.BLUE
08975	LT.BLUE
08979	ORANGE
08981	YELLOW
08982	RED
08985	BLACK



FASTENER DIVISION
FITCHBURG, MA 01420 U.S.A.
TEL. 1-800-225-5913
FAX. 1-800-848-2169

DESCRIPTION:

1/2" (15 mm) Swiftach® HD Paddle

APPROVAL:

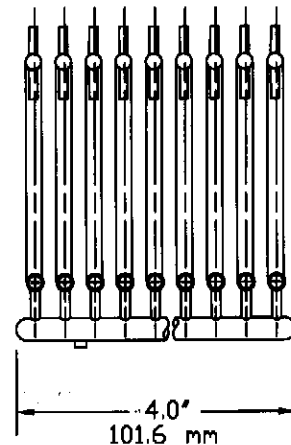
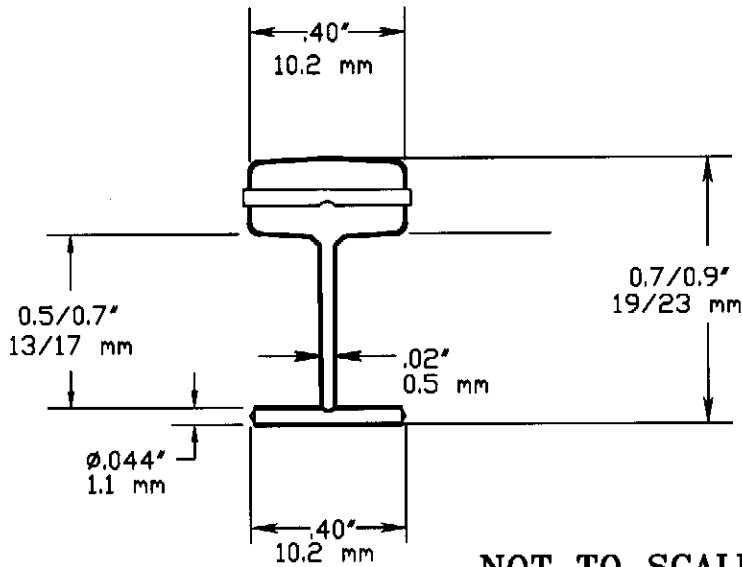
E. J. ... 1-12-09

SEE ABOVE

REV
H

AVERY DENNISON MARKETING SPECIFICATION

TOLERANCES IN. = ± .030 IN.
MM = ± 0.7 mm



NOT TO SCALE

NOMINAL TENSILE STRENGTH:	5.0 - 7.0 LBSF / 2.3 - 3.2 KGF
MATERIAL:	NYLON: TYPE 6
WEIGHT/FASTENER:	0.0017 oz / .050 grams
CLIP QUANTITY:	50
APPLICATION TOOL:	10651 MARK III PISTOL GRIP 08945 STANDARD SCISSOR-GRIP MARK II HAND TOOL (CONTACT LOCAL SALES PERSON FOR INFORMATION ON POWERED EQUIPMENT)
PACKAGED IN:	5,000/CTN, 50,000/CASE
T/F CONN PADDLES	NO

STK.NO	DESCRIPTION
08973	NATURAL
08974	DK.BLUE
08975	LT.BLUE
08979	ORANGE
08981	YELLOW
08982	RED
08985	BLACK



FASTENER DIVISION
FITCHBURG, MA 01420 U.S.A.
TEL. 1-800-225-5913
FAX. 1-800-848-2169

DESCRIPTION:

1/2" (15 mm) Swiftach® HD Paddle

APPROVAL:

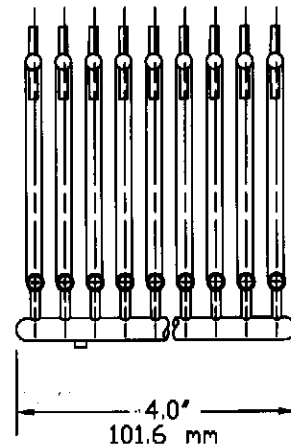
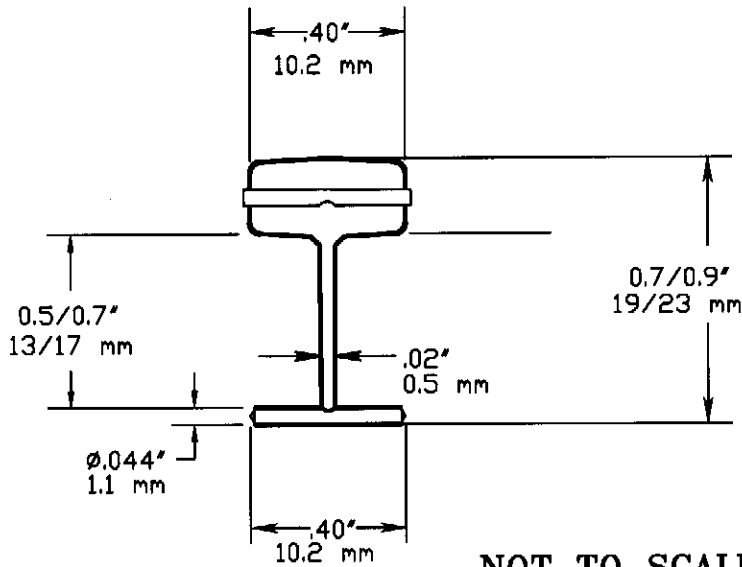
E. L. Y. H. 1-12-09

SEE ABOVE

REV
H

AVERY DENNISON MARKETING SPECIFICATION

TOLERANCES IN. = ± .030 IN.
MM = ± 0.7 mm



NOT TO SCALE

NOMINAL TENSILE STRENGTH:	5.0 - 7.0 LBSF / 2.3 - 3.2 KGF
MATERIAL:	NYLON: TYPE 6
WEIGHT/FASTENER:	0.0017 oz / .050 grams
CLIP QUANTITY:	50
APPLICATION TOOL:	10651 MARK III PISTOL GRIP 08945 STANDARD SCISSOR-GRIP MARK II HAND TOOL (CONTACT LOCAL SALES PERSON FOR INFORMATION ON POWERED EQUIPMENT)
PACKAGED IN:	5,000/CTN, 50,000/CASE
T/F CONN PADDLES	NO

STK.NO	DESCRIPTION
08973	NATURAL
08974	DK.BLUE
08975	LT.BLUE
08979	ORANGE
08981	YELLOW
08982	RED
08985	BLACK



FASTENER DIVISION
FITCHBURG, MA 01420 U.S.A.
TEL. 1-800-225-5913
FAX. 1-800-848-2169

DESCRIPTION:

1/2" (15 mm) Swiftach® HD Paddle

APPROVAL:

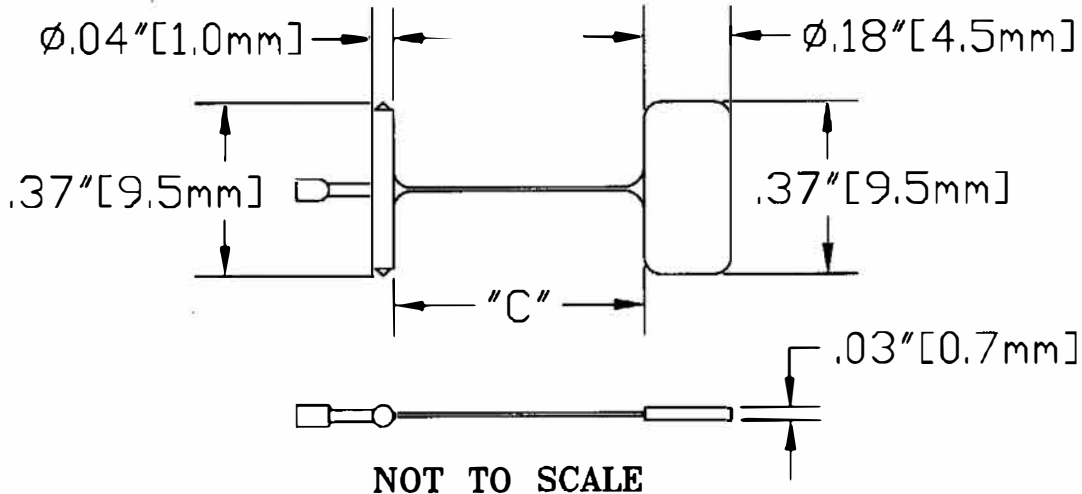
E. J. ... 1-12-09

SEE ABOVE

REV
H

AVERY DENNISON MARKETING SPECIFICATION

TOLERANCES IN. = ± .030 IN.
mm = ± 0.7mm



NOMINAL TENSILE STRENGTH:	5/7 LBSF. / 2.3/3.2 KGF.
MATERIAL:	NYLON - SEE TABLE
PIECES/CLIP:	100
PITCH:	CLOSE
PACKAGED:	10,000/CTN,100,000/CASE
T/F CONN PADDLES:	YES

SKU #	COLOR	"C" DIM.	DESCRIPTION
11077	NATURAL	.57/.61" [14.5/15.5mm]	19/32" [15mm]
		'	'
		'	'
	□	'	'
11081	NATURAL	.77/.80" [19.5/20.5mm]	25/32" [20mm]
		'	'
11083	NATURAL	.96/1.0" [24.5/25.5mm]	1" [25mm]
11084	NATURAL	1.36/1.40" [34.5/35.5mm]	1 3/8" [35mm]
		'	'
		'	'
	□	'	'
11088	NATURAL	1.95/2.0" [49.5/50.5mm]	2" [50mm]
11089	NATURAL	2.54/2.58" [64.5/65.5mm]	2 1/2" [65mm]

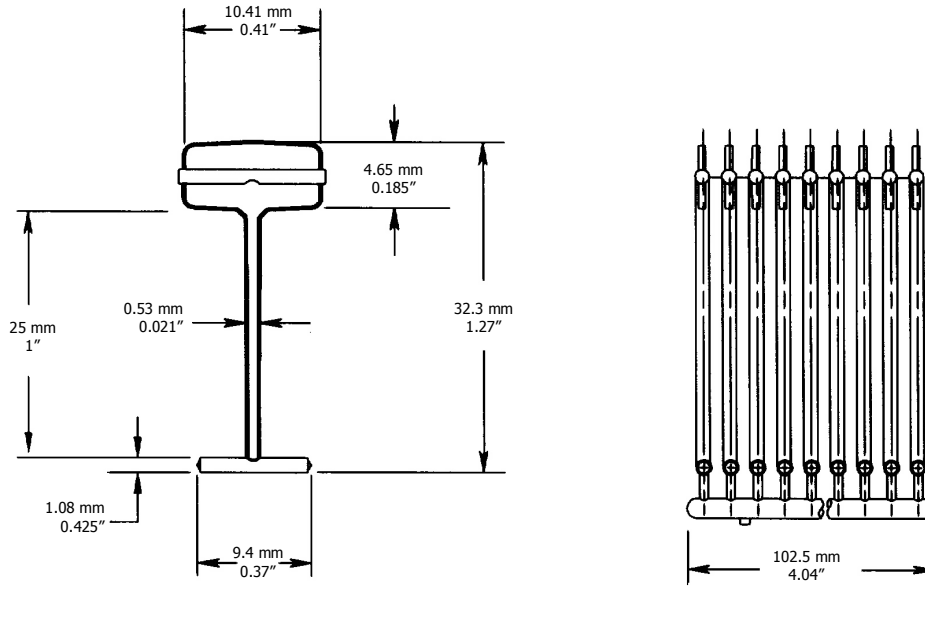


FASTENER DIVISION
FITCHBURG, MA 01420 U.S.A.
TEL. 1-800-225-5813
FAX. 1-800-848-2169

DESCRIPTION: <p style="text-align: center; font-weight: bold;">SWIFT, HEAVY DUTY, STANDARD</p>	APPROVAL: <div style="text-align: right; font-family: cursive; font-size: 1.2em;"> 1-30-09 </div>	
	STOCK NO. <p style="text-align: center; font-weight: bold;">SEE ABOVE</p>	REV <p style="text-align: center; font-weight: bold;">D</p>

AVERY DENNISON

MARKETING SPECIFICATION DATASHEET



NOT TO SCALE

MIN. APPLIED TENSILE STRENGTH:	? LBSF. / ? KGF.
MATERIAL:	NY
WEIGHT:	.05 GRAMS / EACH
CLIP QUANTITY:	50
APPLICATION TOOL:	10651 MARK III PISTOL GRIP 08945 STANDARD SCISSOR GRIP MARK II HAND TOOL (CONTACT LOCAL SALES AGENT FOR INFORMATION ON POWERED EQUIPMENT)
PACKAGED IN:	5,000/CTN - 50,000/CASE
T/F CONN PADDLES	YES



Fastener Division

AVERY DENNISON
FASTENER DIVISION
1 THOMAS ROAD
WOOBURN INDUSTRIAL PARK
WOOBURN GREEN
BUCKS. HP10 0PE
UNITED KINGDOM

Tel: +44 (0) 1628 859500
Fax: +44 (0) 1628 859612
fast.info@eu.averydennison.com
www.fastener.averydennison.com

DESCRIPTION: 1" (25MM) NYLON SWIFTACH®	APPROVALS:	
	STOCK NO. 02040	REV H