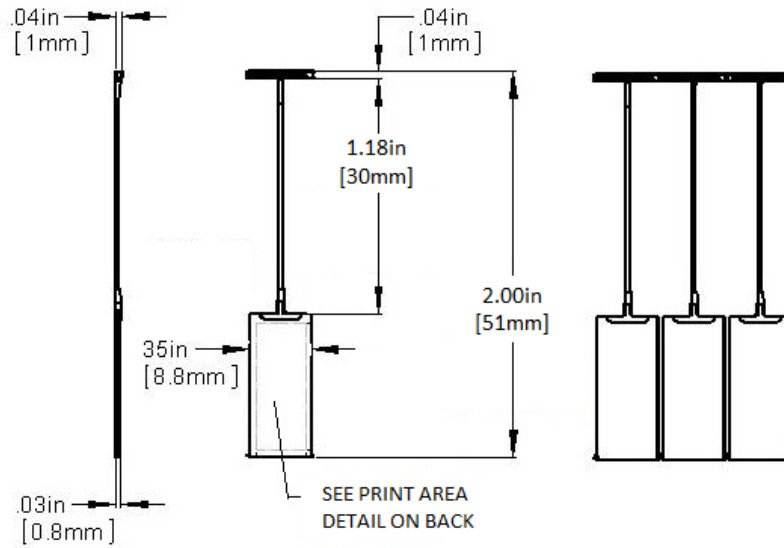


# AVERY DENNISON CORPORATION

## FASTENER SOLUTIONS

### GRAPHIC FASTENING SYSTEM - STANDARD

MM =± 0.7 mm



FULL SCALE

<b>Applied Min.Tensile Strength:</b>	4.0 lbs [1.8 kgs] minimum
<b>Material:</b>	PP – Polypropylene (fastener and image)
<b>Color:</b>	Natural
<b>Weight:</b>	.144 grams each
<b>Roll Quantity:</b>	834
<b>Packaged:</b>	5,000/carton, 50,000/case
<b>Application Tools:</b>	System 1000™ Hand tool #10000-4 Industrial System 1000 Tools # SPU5M / SPU5P Contact your Account Executive for other options



FASTENER SOLUTIONS  
FITCHBURG, MA. USA 01420  
TEL 1-800-225-5913  
FAX 1-800-848-2169

TOLERANCES:  
INCH = +/- .030in  
MM = +/- 0.7mm

**NOT TO SCALE**

DESC	2" (51mm) Graphic Fastener
PART NO.	REV

QA APPROVAL:

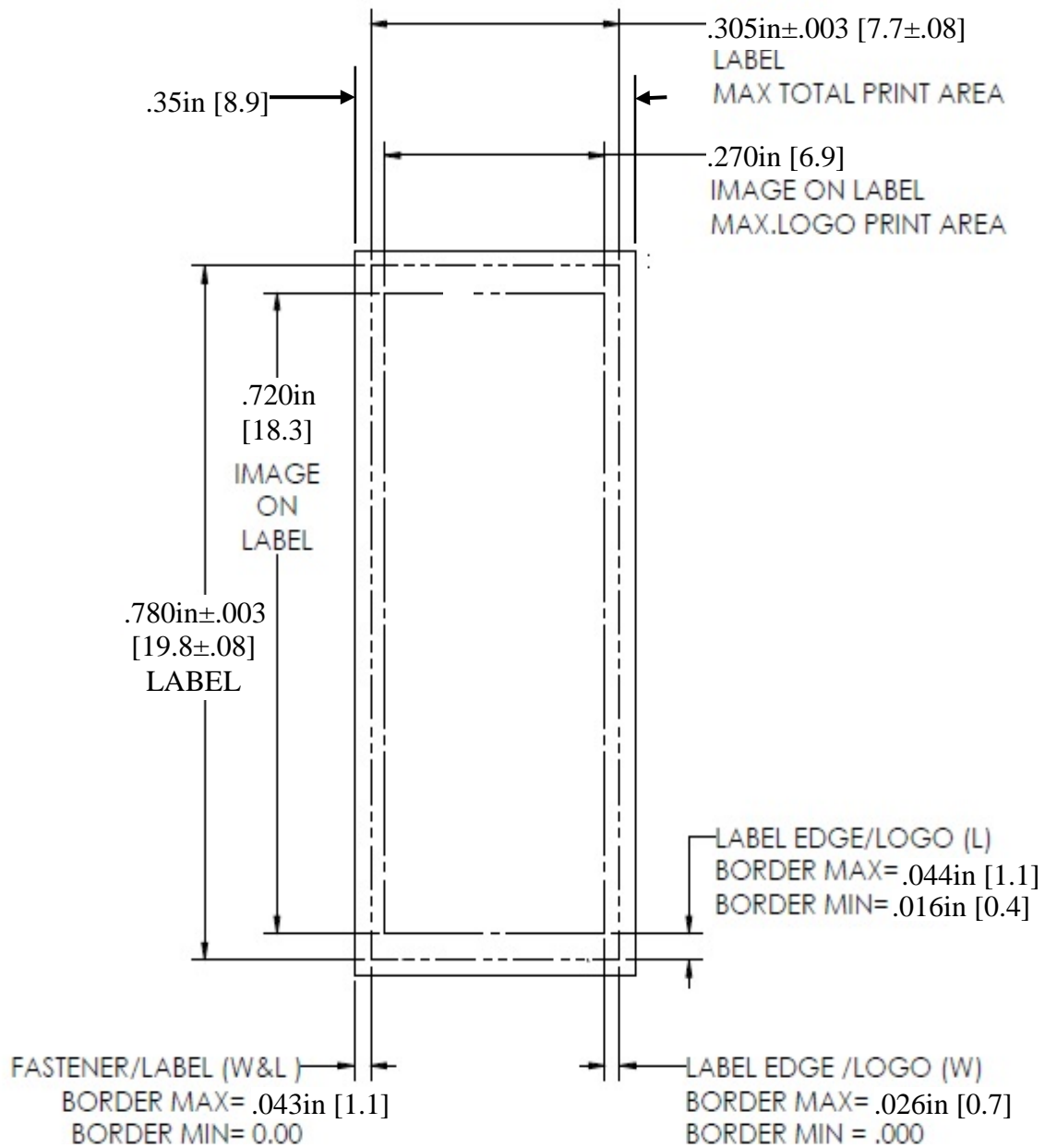
SIGNATURE: \_\_\_\_\_

PRINTED NAME: \_\_\_\_\_

# AVERY DENNISON CORPORATION

## FASTENER SOLUTIONS

### GRAPHIC FASTENING SYSTEM - STANDARD



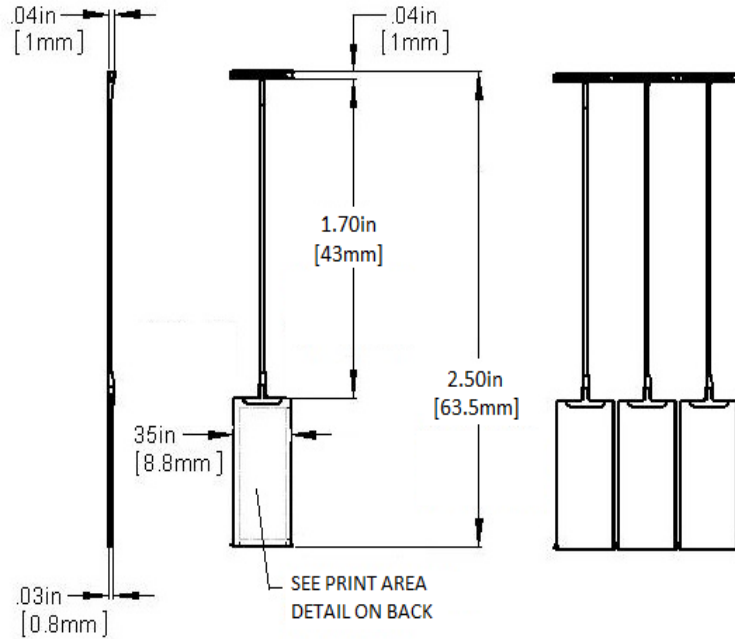
PRINT AREA DETAIL

# AVERY DENNISON CORPORATION

## FASTENER SOLUTIONS

### GRAPHIC FASTENING SYSTEM - STANDARD

MM =± 0.7 mm



FULL SCALE

<b>Applied Min.Tensile Strength:</b>	4.0 lbs [1.8 kgs] minimum
<b>Material:</b>	PP – Polypropylene (fastener and image)
<b>Color:</b>	Natural
<b>Weight:</b>	.144 grams each
<b>Roll Quantity:</b>	834
<b>Packaged:</b>	5,000/carton, 50,000/case
<b>Application Tools:</b>	System 1000™ Hand tool #10000-4 Industrial System 1000 Tools # SPU5M / SPU5P Contact your Account Executive for other options



FASTENER SOLUTIONS  
FITCHBURG, MA. USA 01420  
TEL 1-800-225-5913  
FAX 1-800-848-2169

TOLERANCES:  
INCH = +/- .030in  
MM = +/- 0.7mm

**NOT TO SCALE**

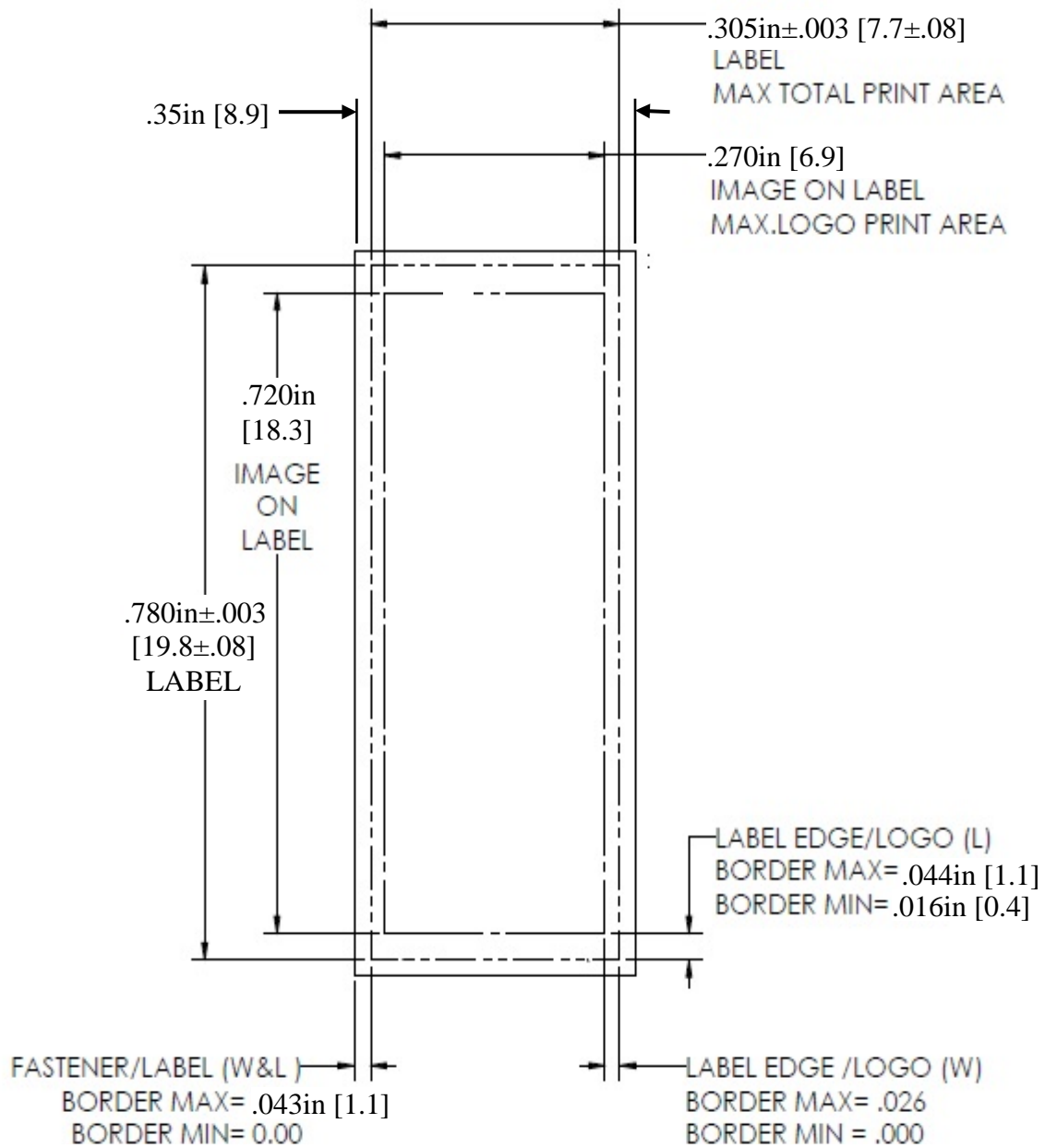
DESC	2.5" (63.5mm) Graphic Fastener
PART NO.	REV

QA APPROVAL:  
SIGNATURE: \_\_\_\_\_  
PRINTED NAME: \_\_\_\_\_

# AVERY DENNISON CORPORATION

## FASTENER SOLUTIONS

### GRAPHIC FASTENING SYSTEM - STANDARD

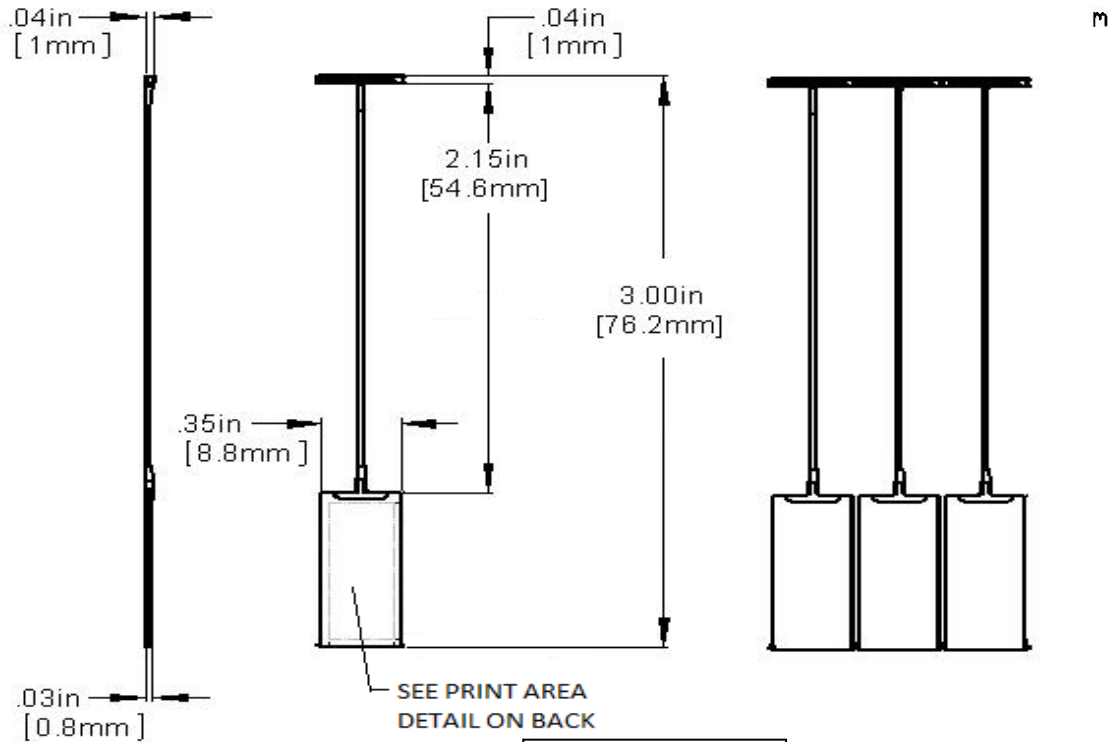


PRINT AREA DETAIL

# AVERY DENNISON CORPORATION

## FASTENER SOLUTIONS

### GRAPHIC FASTENING SYSTEM - STANDARD



FULL SCALE

<b>Applied Min.Tensile Strength:</b>	4.0 lbs [1.8 kgs] minimum
<b>Material:</b>	PP – Polypropylene (fastener and image)
<b>Color:</b>	Natural
<b>Weight:</b>	.144 grams each
<b>Roll Quantity:</b>	834
<b>Packaged:</b>	5,000/carton, 50,000/case
<b>Application Tools:</b>	System 1000™ Hand tool #10000-4 Industrial System 1000 Tools # SPU5M / SPU5P Contact your Account Executive for other options



FASTENER SOLUTIONS  
 FITCHBURG, MA. USA 01420  
 TEL 1-800-225-5913  
 FAX 1-800-848-2169

TOLERANCES:  
 INCH = +/- .030in  
 MM = +/- 0.7mm

**NOT TO SCALE**

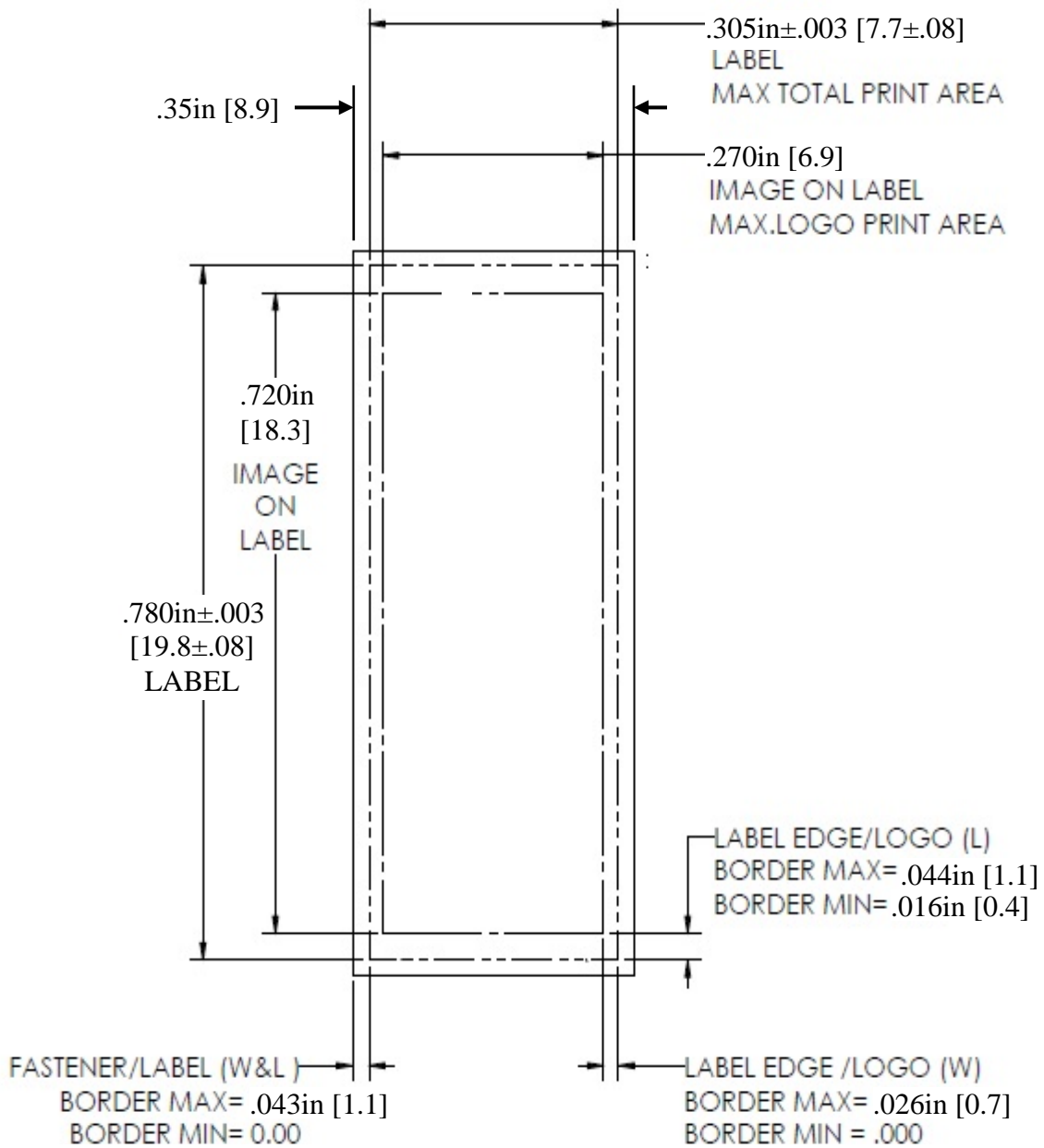
DESC	3" (76mm) Graphic Fastener
PART NO.	REV

QA APPROVAL:  
 SIGNATURE: \_\_\_\_\_  
 PRINTED NAME: \_\_\_\_\_

# AVERY DENNISON CORPORATION

## FASTENER SOLUTIONS

### GRAPHIC FASTENING SYSTEM - STANDARD



PRINT AREA DETAIL