



Fastener
Solutions

Ecotach™ Recycled (rPET) Fasteners Marketing Specifications

For the following part numbers:

17015-0	Standard System 1000	2" (51mm)
17016-0	Standard System 1000	2" (51mm)
17017-0	Standard System 1000	2" (51mm)
17001-0	Standard System 1000	3" (78mm)
17002-0	Standard System 1000	3" (78mm)
17003-0	Standard System 1000	3" (78mm)
17004-0	Standard System 1000	3" (78mm)
17005-0	Standard System 1000	3" (78mm)
17006-0	Standard System 1000	3" (78mm)
17007-0	Standard System 1000	3" (78mm)
17008-0	Standard System 1000	3" (78mm)
17009-0	Standard System 1000	3" (78mm)
17010-0	Standard System 1000	3" (78mm)
17011-0	Standard System 1000	3" (78mm)
17012-0	Standard System 1000	3" (78mm)
17013-0	Standard System 1000	3" (78mm)
17041-0	Fine Fabric System 500	2" (51mm)
17042-0	Fine Fabric System 500	2" (51mm)
17043-0	Fine Fabric System 500	2" (51mm)

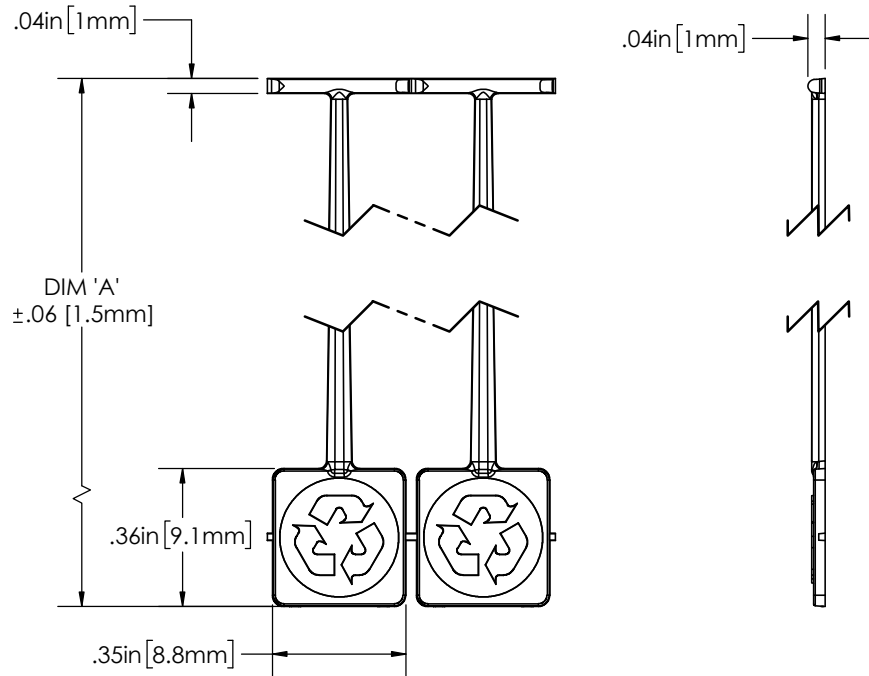
March 6, 2020

AVERY DENNISON MARKETING SPECIFICATION

© 2019 AVERY DENNISON CORPORATION. ALL RIGHTS RESERVED

HISTORY

REV.	DATE	DESCRIPTION
D	02.11.20	ADD 17015-0,-16-0 AND -17-0: TENSILE OF 4.0 WAS 5.6LBS



STOCK NUMBER	REV	COLOR	DIM 'A'
17001-0	D	WHITE	3.0 [76mm]
17002-0	D	YELLOW	3.0 [76mm]
17003-0	D	ORANGE	3.0 [76mm]
17-004-0	D	PINK	3.0 [76mm]
17005-0	D	RED	3.0 [76mm]
17006-0	D	LT GREEN	3.0 [76mm]
17007-0	D	GREEN	3.0 [76mm]
17008-0	D	LT BLUE	3.0 [76mm]
17009-0	D	DK BLUE	3.0 [76mm]
17010-0	D	BROWN	3.0 [76mm]
17011-0	D	GRAY	3.0 [76mm]
17012-0	D	BLACK	3.0 [76mm]
17013-0	D	NATURAL	3.0 [76mm]
17015-0	A	NATURAL	2.0 [51mm]
17016-0	A	BLACK	2.0 [51mm]
17017-0	A	WHITE	2.0 [51mm]

NOT TO SCALE

TENSILE STRENGTH:	4.0 lbf [1814 g] MINIMUM	APPROVALS: ENG. APPR. <i>Dave Schuttler 02.11.20</i> Q.A. APPR. <i>Rick Estano 02.11.20</i>	FASTENER DIVISION FITCHBURG, MA 01420 U.S.A. TEL. 1-800-225-5913 FAX. 978-353-8157
WEIGHT:	.107 GRAMS/EACH		
TOOL:	10000-4 - HAND TOOL SPU5M / SPU5P - IND'L SYSTEM 1000 (CONTACT SALES SPECIALIST FOR ADDITIONAL OPTIONS)	SPECIFIED TOLERANCES ARE: .XX ± .03 INCHES .X ± .7 mm .XXX ± .010 INCHES .XX ± .25 mm ANGULAR: ± 2°	DESCRIPTION SYSTEM 1000, rPET
PACKAGING:	834/ROLL 5000/CTN, 50,000/CASE	MATERIAL >= 90%rPET <= 10% PE& COLOR CONC. COLOR SEE TABLE	STOCK NO. SEE TABLE
			REV. D

5

↑

4

3

2

1

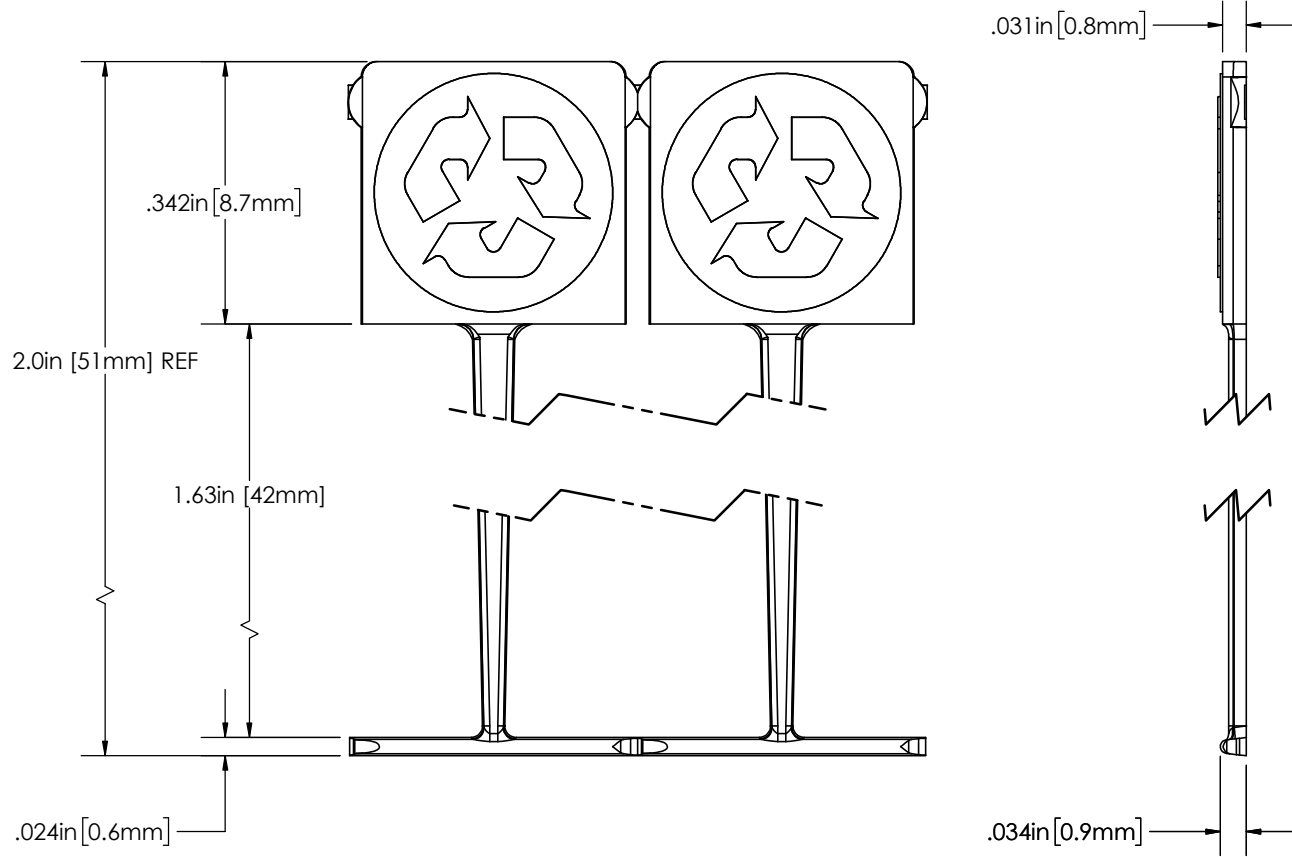
AVERY DENNISON MARKETING SPECIFICATION

© 2019 AVERY DENNISON CORPORATION. ALL RIGHTS RESERVED

Released Product


HISTORY

REV.	DATE	DESCRIPTION
A	02.28.20	RELEASE



STOCK NUMBER	REV	COLOR
17041-0	A	NATURAL
17042-0	A	BLACK
17043-0	A	WHITE

NOT TO SCALE

TENSILE STRENGTH:	2.5 lbf [1134g MINIMUM]	APPROVALS:	ENG. APPR.	<i>Dave Schuttler 02.28.20</i>		FASTENER DIVISION FITCHBURG, MA 01420 U.S.A. TEL. 1-800-225-5913 FAX. 978-353-8157
WEIGHT:	.09 GRAMS/EACH		Q.A. APPR.	<i>Rick Estano 02.28.20</i>		
PACKAGED:	5000/CTN, 50,000/CASE	SPECIFIED TOLERANCES ARE:	MATERIAL	>/= 90% rPET	DESCRIPTION	SYSTEM 500 FF, rPET
APPLICATION TOOL:	16010-0 - HAND TOOL			</=10% PE & COLOR CONC		
ROLL QUANTITY:	500 FASTENERS		COLOR	SEE TABLE	STOCK NO.	SEE TABLE
					REV	AA

5

4

3

2

1