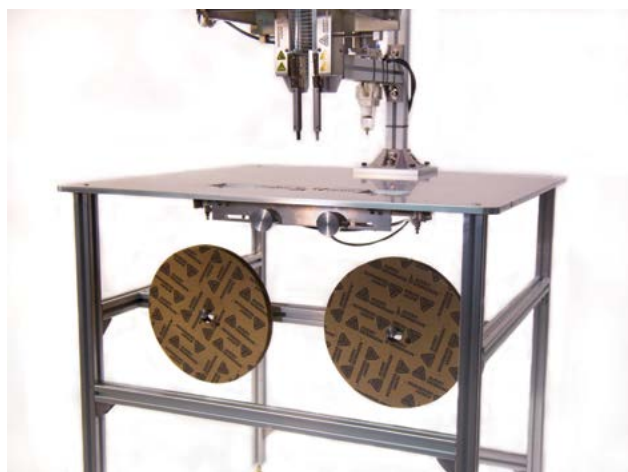


The Reinforced Backing Solution™ is a module designed to provide enhanced security and improved tensile strength to packaging when used with the IndES® Elastic Staple® System. The Reinforced Backing Solution™ is ideal for securing heavy weight or bulky products to packaging. The module simultaneously delivers two plastic backing substrates between the card stock and the fastener's T-Ends when the IndES® needles are engaged.

Faster Packaging for Increased Productivity

An operator can feed, cut and apply IndES® elastic staples and the backing substrates in a single actuation making this an attractive option for those looking to improve processes and productivity. Replacing conventional packaging methods with the combination of an IndES® Elastic Staple® system and this Reinforced Backing Solution™ can enable a factory or OEM to:

- Decrease downtime by reducing time and steps in packaging production
- Reduce operator workload
- Reduce material costs



Improved Packaging

The Reinforced Backing Solution™ provides about a 20% to 30% increase in the force required to pull out an elastic staple fastener and its strength is similar to that of a cable tie.* This solution can secure a product as well as a clamshell or blister pack does. The Reinforced Backing Solution™ is suitable for a variety of products including:

- **Toys**
- **DIY Tools**
- **Kitchen Utensils**
- **Sporting Goods & Accessories**



Elevates the Consumer's Experience

Reduced packaging creates a better view of the product, increasing overall shelf appeal and providing a positive consumer experience both before and after the sale through:

- Improved visuals of the product at the point-of-sale
- Increased customer interaction with the product, which remains securely packaged
- Faster, easier and safer removal of the product

Sustainable Packaging

Using small and lightweight IndES® elastic staples with these backing substrates can eliminate excess packaging and reduce the amount of materials being transported. Water and energy use, solid waste production and CO2 emissions are reduced when compared to conventional packaging methods such as plastic cable ties and paper twist ties.



* Results of internal testing, compared against IndES® Elastic Staple® without Reinforced Backing substrates. Contact an Avery Dennison representative for more information.

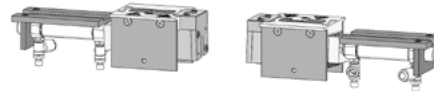
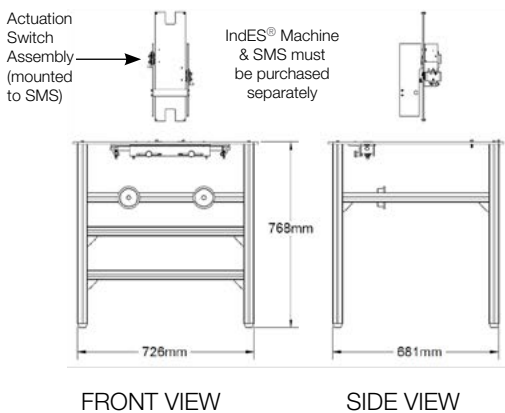
Reinforced Backing Solution™

The Reinforced Backing Solution™ is a module intended for use with the IndES® Elastic Staple® System. It can be used with IndES® staple sizes ranging from 15mm to 200mm. This module can be placed within your own manufacturing setting or it can be fully integrated into a light-weight aluminum table that includes:

- Exact mounting holes designed specifically for the IndES® Elastic Staple® System installation
- Various mounting holes for jig placement
- Adjustable die cutting and insertion mechanism designed to align with the IndES® Elastic Staple® System needles
- Left and right spindles for mounting the backing substrate on rolls



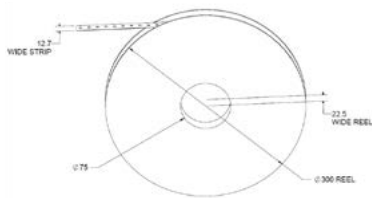
Technical Information



Reinforced Backing Solution™ Part # 11607-0	
Table Dimensions:	726mm x 681mm x 768mm H
Total Weight:	29.5Kg (65 lbs)
Operating Pressure	0.28MPi (40 psi) – 0.55MPi (80 psi)
Cycle Speed	0.6 seconds
Air Use:	0.1 CFM
Application Machine(s):	11601-0 IndES® Elastic Staple® System

Reinforced Backing Solution™ (Module Set Only) Part # 11608-0	
1 Module Dimension:	222mm x 70mm x 64mm H
Module Set Weight:	3.6Kg (8.0 lbs)
Operating Pressure	0.28MPi (40 psi) – 0.55MPi (80 psi)
Cycle Speed	0.6 seconds
Air Use:	0.1 CFM
Application Machine(s):	11601-0 IndES® Elastic Staple® System

Not Included Machines or Accessories	
Part #	Description
11601-0	IndES® Elastic Staple® System
11616-0	Spring Mounted Stand (SMS)
11713-0	Backing Substrate Reel



IndES® Elastic Staple® Plastic Backing Substrate Part # 11715-0	
Strip Material:	Polypropylene
Strip Thickness:	0.4mm
Individual Backer Shape	12.7mm x 12.7mm ø2mm
Package:	10,000 Per Reel
Application Machine(s):	11607-0 Reinforced Backing Solution 11608-0 Reinforced Backing Solution (Module Set Only)

For information on the IndES® Elastic Staple® System, [visit this page](#).

For more information on the Reinforced Backing Solution™ call or email us at fastener@averydennison.com ✉

The information contained herein is believed to be reliable but Avery Dennison makes no representations concerning the accuracy or correctness of the data. This product, like any other should be tested by the customer/user thoroughly under end user conditions to ensure the product meets the particular requirements. Independent results may vary. Avery Dennison Liability is limited to the replacement value of defective products. In no event shall Avery Dennison be held liable for consequential, indirect or incidental damages. Products, information and specifications are subject to change without notice.

Avery Dennison and the logo are registered trademarks of Avery Dennison Corp. Third party trademarks and/or trade names used herein are the property of their respective owner(s).

© 2017 Avery Dennison Corporation, All Rights Reserved.

USA & CANADA

224 Industrial Road
Fitchburg, MA 01420
Tel +978 345 8100 (direct)
Tel +800 225 5913
Fax +800 848 2169

LATIN AMERICA

Aristóteles #123
Parque Industrial Kalos
Apodaca, Nuevo León
66600 México
Tel +52 (81) 8864 4100
Fax +52 (81) 8864 4101

ASIA

No. 7 Chun Ying Street
Tseung Kwan O
Industrial Estate
New Territories, Hong Kong
Tel +852 2372 3000
Fax +852 2873 6436

EUROPE, MIDDLE EAST & AFRICA

1 Thomas Road
Wooburn Green
Bucks HP10 0PE
Tel +(44) 1628 859500
Fax +(44) 1628 859567

fastener.averydennison.com